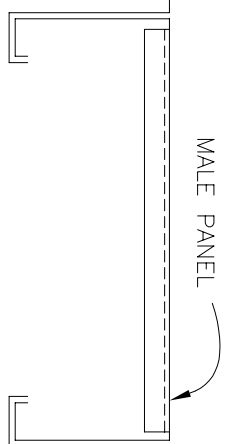
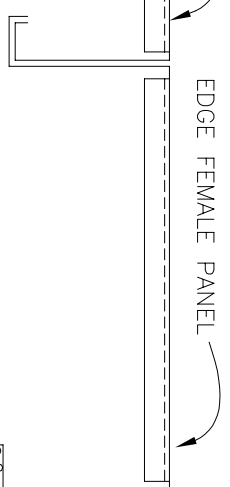


FEMALE PANEL

L 2" x 2" x 3/16"
STIFFENER ANGLES

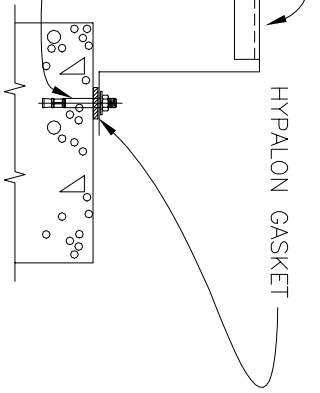


MALE PANEL



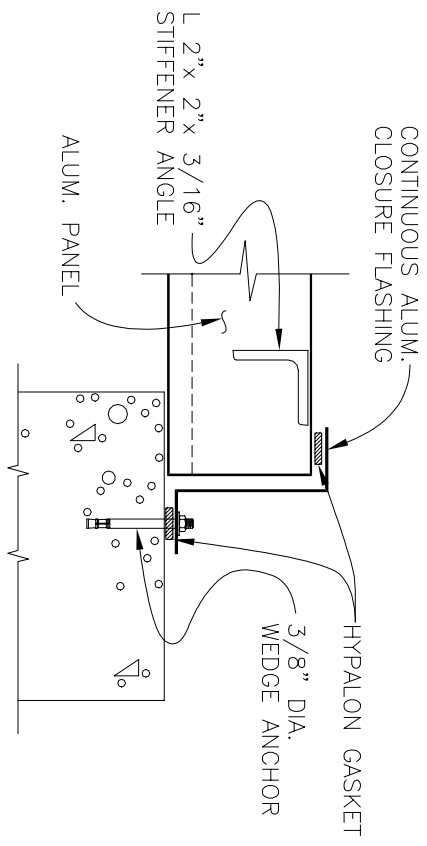
EDGE FEMALE PANEL

3/8" DIA. 300 S.S.
WEDGE ANCHOR



HYPALON GASKET

SECTION A
N.T.S.



CONTINUOUS ALUM.
CLOSURE FLASHING

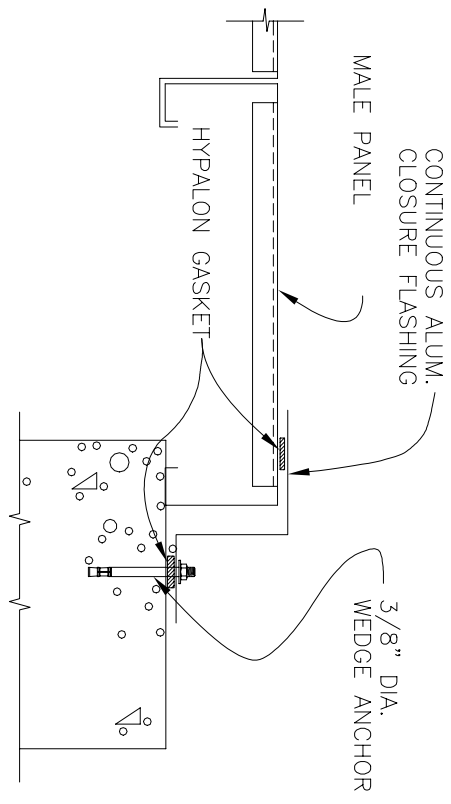
HYPALON GASKET

3/8" DIA.
WEDGE ANCHOR

ALUM. PANEL

L 2" x 2" x 3/16"
STIFFENER ANGLE

SECTION B
N.T.S.



CONTINUOUS ALUM.
CLOSURE FLASHING

MALE PANEL

3/8" DIA.
WEDGE ANCHOR

HYPALON GASKET

SECTION C
N.T.S.